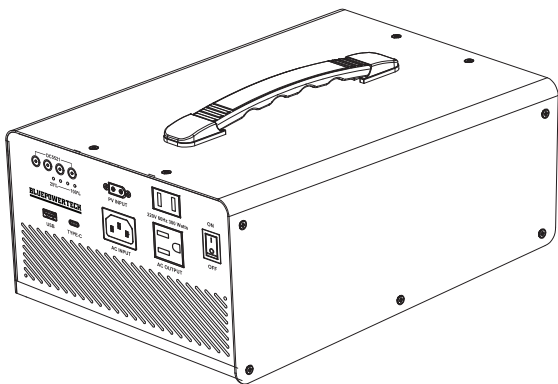


# **BLUEPWERTECH**

## USER MANUAL



Model: TS1000

**Thank you for purchasing TS1000 series high quality power station. In order to ensure your personal safety, property safety and good experience, please read the user manual carefully before operation and save it for future reference!**

**Charging instructions**

Before using your new TS1000 series, please plug it into a suitable power outlet until it is fully charged. Then, you can start an exciting journey with it.

**Note:**

The AC output voltage and frequency vary from country to country. Please refer to the actual product before use.

**Product maintenance:**

1. If it is not properly maintained, the battery life may be shortened or unusable.
2. Fully charge and discharge at least once every 3 months to ensure the battery life.
3. Don't store batteries with less than 50% power level.

## Warn

Please read the following safety instructions before use. Improper use may lead to fire, property damage or personal injury or death. Do not use components that are incompatible with the product or change the product in any way.

### Warn

Improper use may lead to fire, property damage or personal injury. Please make sure to use the product according to the following safety rules and guidelines.

### Warn

Do not expose the product to liquid or immerse it in water. If the battery comes into contact with water, it may lead to chemical decomposition of the battery. This may cause the battery to catch fire or explode.

## Safety instructions

Read the following instructions to ensure safe use:

### Danger

- Failure to comply is likely to result in serious injury or death.
- Do not disassemble, repair or modify the equipment or battery.
- Do not place the equipment near or in a fire source, and do not expose it to a heat source. Avoid direct sunlight.
- Do not charge, use or store equipment in the bathroom or in areas exposed to rain or moisture.
- Use only output sockets to supply power to external devices.
- Under no circumstances should the output be connected to the mains.
- If your hands are wet, do not touch the device or the jack.
- Do not connect any metal object to AC input or output.
- Do not rub your eyes if the liquid inside the equipment enters your eyes.
- Do not dispose of the equipment together with domestic garbage.
- Do not use any inappropriate power cord:
- Do not operate the equipment above the specified input voltage.
- Do not use this device if it is not operating correctly.
- Do not move the device if it is being

### Warn

- Failure to comply may result in serious injury or death.
  - The equipment should only be used and stored in a clean and dry environment.
  - Please do not use and store in dusty and humid environment.
  - Check the equipment before each use.
  - Do not use the equipment if it is damaged or broken.
  - Do not use this device if the power cord is damaged or broken. Keep the equipment away from children.
  - Don't let children use power components. Keep this product away from pets.
  - Do not use or store the equipment in high temperature areas or environments.
  - If the liquid inside the equipment comes into contact with your skin or clothes, please clean the affected area with tap water.
  - Please unplug the power cord from the socket in stormy weather.
  - Never use a power supply system other than the rated voltage to charge the equipment.
  - Never stand the instrument sideways or upside down when using or storing it.
- Accessories shall not be used for other purposes.

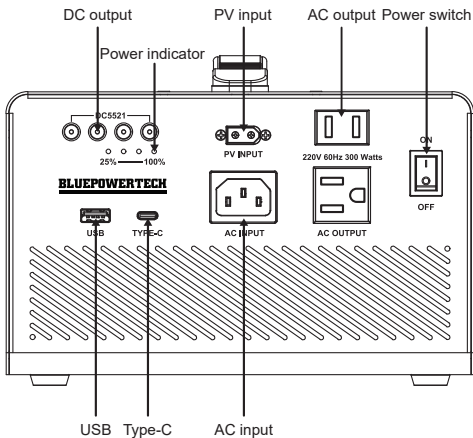
### Warn

- Failure to comply may result in injury and/or property damage \*\*
- If you find the peculiar smell of rust, overheating or other abnormal conditions, you should stop using the equipment immediately and contact the dealer or our customer service center.
- The unit meets all legal requirements for the transport of dangerous goods.
- Ensure that the equipment is properly fixed when transported on motor vehicles.
- The equipment should only be charged, used and stored within the ambient temperature range of 0 to 40°C (32 to 104°F).
- If the equipment is accidentally dropped, dropped or shaken, it should be turned off immediately.
- Once the equipment is fully charged, please unplug the AC charging cable. We are not responsible for any damage caused by using different brands of charging cables.
- Using different cables will void the product warranty and may cause damage or serious personal injury.

Thank you for purchasing our portable power station. Please read the manual carefully before use and keep it for reference.

This manual helps you to operate the device correctly. But it is not a description of the software/hardware configuration. To understand the product configuration, please refer to the relevant contract or consult with your distributor. The pictures in this manual are for reference only.  
thank you

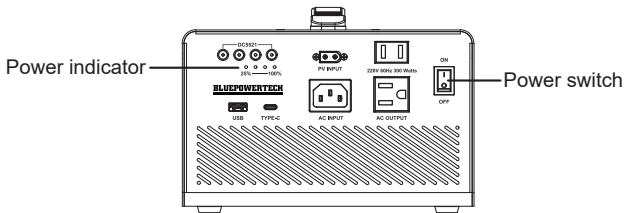
## Product description:



## Specification parameter:

Product model	TS1000
Rated capacity	3.2V/314Ah 1004Wh
Rated power	300W (Max)
AC input	300W (Max)
PV input	12-60V/15A, 200W (Max)
AC output	220V-230V 50Hz
USB output	5V/2A
Type-C output	5V/3A, 9V/2A,12V/1.87A
DC output	5V/4A
AC output waveform	Pure Sine wave
Weight	10KG
Product size	L291mm*W215mm*H152mm
Protect	Short circuit protection Overcurrent protection Overpower protection Overdischarge protection High temperature protection Overpower protection
Packing list	1*TS1000 1*AC charging cable 1* User Manual 1*PV charging line

## LED/ key display instructions:



### Switch

- 1: When the switch is set to NO, the LED power indicator stays on, and the AC/DC/USB/Type-C ports are turned on.
- 2: When the switch is set to OFF, the energy storage power supply is turned off, and all output ports are turned off.

### Power indicator


There are 4 LED lights, each of which represents 25% of the power. It is recommended to charge the energy storage at the last light.


### Functional Failure Warning

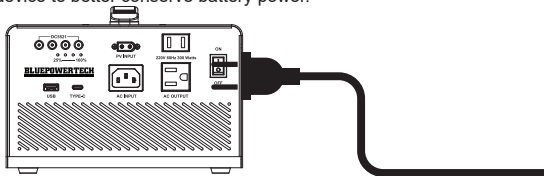
When a short circuit occurs, the maximum current/power limit is exceeded, or the voltage is too low, the LED light will flash continuously and the output will be automatically shut down immediately. Please remove the overloaded equipment and restart the power station to resume operation.

## How to use your portable power station?

### 1: AC/DC output switch

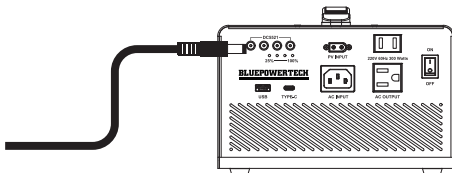
Turn on AC/DC output: Press this button to the  "ON" position to turn on the energy storage device and simultaneously turn on the AC/DC/USB/Type-C output.

When not in use, please turn the switch to the  "OFF" position to turn off your energy storage device to better conserve battery power.



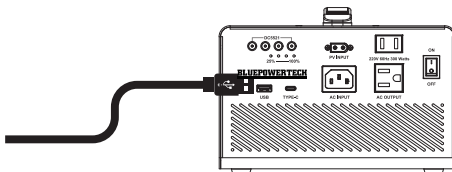
According to the portable energy storage power supply you currently have, the wattage of limited equipment is  $\leq 300W$ , such as laptop, fan, TV, CPAP, etc., which can be charged. When short circuit or overload is found, the AC power supply will be turned off. Remove equipment to recover from short circuit or overload protection.

### 2: DC output



Support DC12V equipment, such as vacuum cleaner, air pump, electric wrench, car refrigerator, etc. When short circuit or overload is found, DC power supply will be turned off. Remove equipment to recover from short circuit or overload protection.

### 3:USB output

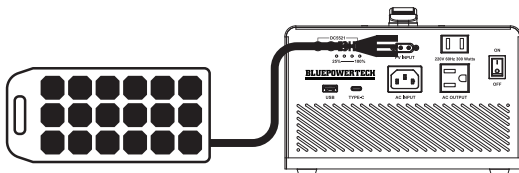


Smartphone, digital camera, tablets, etc.

# How to charge your portable energy storage power supply?

## 1: PV charging

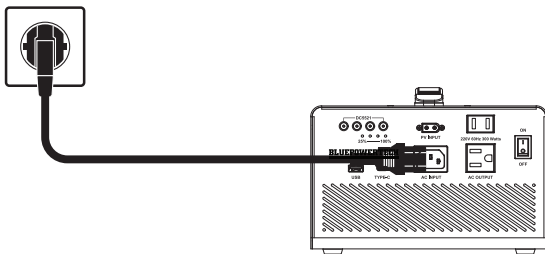
12-60V 10A/200W (Max)



XT60 to MC4 or XT60 interface on solar panel can connected directly and charging.

## 2:AC charging

Please connect our energy storage power cord to a household AC outlet. When the LED indicator lights up and flashes, you will know that the device is charging. When the product is fully charged, the LED indicator will light up and stop flashing. Please unplug the cable after it is fully charged.



## Frequently asked questions?

### **1. Can this portable energy storage power supply be taken on the plane?**

No. According to international air transport standards, lithium batteries should not exceed 100Wh. Because the built-in battery is 1004Wh, you can't take this product aboard.

### **2. Why is the equipment power sometimes unavailable within 300W?**

A the power of the energy storage power supply is less than 20%, so it needs to be charged in time.

B. The instantaneous starting power of your equipment is greater than the peak power of the power station, or the rated power of the equipment is greater than the actual power of our energy storage power supply. It is recommended to choose our products with higher power.

### **3. Why is the product noisy at work?**

This is a power station with built-in cooling fan system. The built-in fan can better help the product dissipate heat to achieve high conversion rate. There is usually a slight noise during use.

### **4. When charging the energy storage power supply, will the charger (adapter) heat normally?**

- It is normal for the charger to heat up when charging.
- The standard charger meets the national safety standards.

## Product application skills:

- 1) This product has built-in high-quality original lithium-ion battery. It has no memory effect, but has high capacity and durability. However, we still recommend that you use it in the range of 10°C ~ 30°C to obtain the best charging capacity.
- 2) When charging, please stay away from TV, radio and other equipment to avoid interference.
- 3) If the equipment has not been used for a long time, please disconnect the cable and store it.
- 4) Some portable devices may need to be set to charging mode to charge. Please refer to the user manual for more information.
- 5) After startup, if there is no output, it will automatically shut down after 3 hours, thus achieving better energy-saving effect.
- 6) Please dispose of waste products according to regulations, and don't treat the built-in battery as domestic garbage to avoid explosion and pollution.
- 7) This product is only used for emergency power stations, and cannot replace the DC or AC power supply of household appliances or digital products.
- 8) The equipment has a built-in, non-removable and rechargeable battery. Do not attempt to remove the battery, as this may damage the equipment.



In order to maintain battery life, a charge-discharge cycle is performed every 3 months



Use original or certified cables.



Don't be exposed to liquid.



Unauthorized disassembly is prohibited.



Avoid falling



Avoid extreme temperatures